

INSTRUCTION MANUAL
MANUEL D'INSTRUCTION
MANUAL DE INSTRUCCIONES

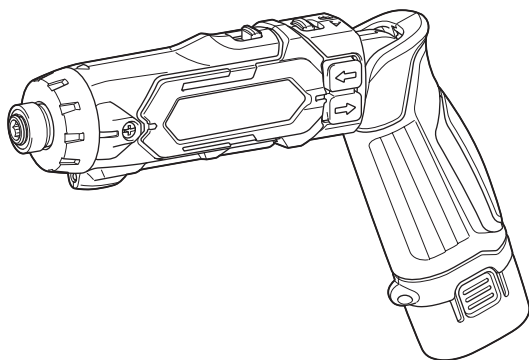


Cordless Driver Drill

Perceuse-Visseuse sans Fil

Atornillador Taladro Inalámbrico

DF012D



IMPORTANT: Read Before Using.

IMPORTANT : Lire avant usage.

IMPORTANTE: Lea antes de usar.

SPECIFICATIONS

Model:		DF012D
Drilling capacities	Steel	5 mm (3/16")
	Wood	6 mm (1/4")
Fastening capacities	Wood screw	ø3.8 mm x 45 mm (5/32" x 1-3/4")
	Machine screw	M5 (3/16")
No load speed (RPM)	High (2)	650 /min
	Low (1)	200 /min
Overall length	With straight shape	273 mm (10-3/4")
	With pistol shape	218 mm (8-5/8")
Rated voltage		D.C. 7.2 V
Standard battery cartridge		BL0715
Net weight		0.53 kg (1.2 lbs)

- Due to our continuing program of research and development, the specifications herein are subject to change without notice.
- Specifications and battery cartridge may differ from country to country.
- Weight, with battery cartridge, according to EPTA-Procedure 01/2014

SAFETY WARNINGS

General power tool safety warnings

⚠ WARNING: Read all safety warnings and all instructions. Failure to follow the warnings and instructions may result in electric shock, fire and/or serious injury.

Save all warnings and instructions for future reference.

The term "power tool" in the warnings refers to your mains-operated (corded) power tool or battery-operated (cordless) power tool.

Work area safety

1. **Keep work area clean and well lit.** Cluttered or dark areas invite accidents.
2. **Do not operate power tools in explosive atmospheres, such as in the presence of flammable liquids, gases or dust.** Power tools create sparks which may ignite the dust or fumes.
3. **Keep children and bystanders away while operating a power tool.** Distractions can cause you to lose control.

Electrical Safety

1. **Power tool plugs must match the outlet. Never modify the plug in any way. Do not use any adapter plugs with earthed (grounded) power tools.** Unmodified plugs and matching outlets will reduce risk of electric shock.
2. **Avoid body contact with earthed or grounded surfaces, such as pipes, radiators, ranges and refrigerators.** There is an increased risk of electric shock if your body is earthed or grounded.

3. **Do not expose power tools to rain or wet conditions.** Water entering a power tool will increase the risk of electric shock.
4. **Do not abuse the cord. Never use the cord for carrying, pulling or unplugging the power tool. Keep cord away from heat, oil, sharp edges or moving parts.** Damaged or entangled cords increase the risk of electric shock.
5. **When operating a power tool outdoors, use an extension cord suitable for outdoor use.** Use of a cord suitable for outdoor use reduces the risk of electric shock.
6. **If operating a power tool in a damp location is unavoidable, use a ground fault circuit interrupter (GFCI) protected supply.** Use of a GFCI reduces the risk of electric shock.

Personal Safety

1. **Stay alert, watch what you are doing and use common sense when operating a power tool. Do not use a power tool while you are tired or under the influence of drugs, alcohol or medication.** A moment of inattention while operating power tools may result in serious personal injury.
2. **Use personal protective equipment. Always wear eye protection.** Protective equipment such as a dust mask, non-skid safety shoes, hard hat or hearing protection used for appropriate conditions will reduce personal injuries.
3. **Prevent unintentional starting. Ensure the switch is in the off-position before connecting to power source and/or battery pack, picking up or carrying the tool.** Carrying power tools with your finger on the switch or energising power tools that have the switch on invites accidents.

4. **Remove any adjusting key or wrench before turning the power tool on.** A wrench or a key left attached to a rotating part of the power tool may result in personal injury.
5. **Do not overreach. Keep proper footing and balance at all times.** This enables better control of the power tool in unexpected situations.
6. **Dress properly. Do not wear loose clothing or jewellery. Keep your hair, clothing, and gloves away from moving parts.** Loose clothes, jewellery or long hair can be caught in moving parts.
7. **If devices are provided for the connection of dust extraction and collection facilities, ensure these are connected and properly used.** Use of dust collection can reduce dust-related hazards.

Power tool use and care

1. **Do not force the power tool. Use the correct power tool for your application.** The correct power tool will do the job better and safer at the rate for which it was designed.
2. **Do not use the power tool if the switch does not turn it on and off.** Any power tool that cannot be controlled with the switch is dangerous and must be repaired.
3. **Disconnect the plug from the power source and/or the battery pack from the power tool before making any adjustments, changing accessories, or storing power tools.** Such preventive safety measures reduce the risk of starting the power tool accidentally.
4. **Store idle power tools out of the reach of children and do not allow persons unfamiliar with the power tool or these instructions to operate the power tool.** Power tools are dangerous in the hands of untrained users.
5. **Maintain power tools. Check for misalignment or binding of moving parts, breakage of parts and any other condition that may affect the power tool's operation. If damaged, have the power tool repaired before use.** Many accidents are caused by poorly maintained power tools.
6. **Keep cutting tools sharp and clean.** Properly maintained cutting tools with sharp cutting edges are less likely to bind and are easier to control.
7. **Use the power tool, accessories and tool bits etc. in accordance with these instructions, taking into account the working conditions and the work to be performed.** Use of the power tool for operations different from those intended could result in a hazardous situation.

Battery tool use and care

1. **Recharge only with the charger specified by the manufacturer.** A charger that is suitable for one type of battery pack may create a risk of fire when used with another battery pack.
2. **Use power tools only with specifically designated battery packs.** Use of any other battery packs may create a risk of injury and fire.
3. **When battery pack is not in use, keep it away from other metal objects, like paper clips, coins, keys, nails, screws or other small metal objects, that can make a connection from one terminal to another.** Shorting the battery terminals together may cause burns or a fire.

4. **Under abusive conditions, liquid may be ejected from the battery; avoid contact. If contact accidentally occurs, flush with water. If liquid contacts eyes, additionally seek medical help.** Liquid ejected from the battery may cause irritation or burns.
5. **Do not use a battery pack or tool that is damaged or modified.** Damaged or modified batteries may exhibit unpredictable behaviour resulting in fire, explosion or risk of injury.
6. **Do not expose a battery pack or tool to fire or excessive temperature.** Exposure to fire or temperature above 130 °C may cause explosion.
7. **Follow all charging instructions and do not charge the battery pack or tool outside the temperature range specified in the instructions.** Charging improperly or at temperatures outside the specified range may damage the battery and increase the risk of fire.

Service

1. **Have your power tool serviced by a qualified repair person using only identical replacement parts.** This will ensure that the safety of the power tool is maintained.
2. **Follow instruction for lubricating and changing accessories.**
3. **Keep handles dry, clean and free from oil and grease.**
4. **Do not modify or attempt to repair the appliance or the battery pack except as indicated in the instructions for use and care.**

Cordless driver drill safety warnings

1. **Use auxiliary handle(s), if supplied with the tool.** Loss of control can cause personal injury.
2. **Hold power tool by insulated gripping surfaces, when performing an operation where the cutting accessory may contact hidden wiring.** Cutting accessory contacting a "live" wire may make exposed metal parts of the power tool "live" and could give the operator an electric shock.
3. **Hold power tool by insulated gripping surfaces, when performing an operation where the fastener may contact hidden wiring.** Fasteners contacting a "live" wire may make exposed metal parts of the power tool "live" and could give the operator an electric shock.
4. **Always be sure you have a firm footing. Be sure no one is below when using the tool in high locations.**
5. **Hold the tool firmly.**
6. **Keep hands away from rotating parts.**
7. **Do not leave the tool running. Operate the tool only when hand-held.**
8. **Do not touch the drill bit or the workpiece immediately after operation; they may be extremely hot and could burn your skin.**
9. **Some material contains chemicals which may be toxic. Take caution to prevent dust inhalation and skin contact. Follow material supplier safety data.**

- If the drill bit cannot be loosened even you open the jaws, use pliers to pull it out. In such a case, pulling out the drill bit by hand may result in injury by its sharp edge.

SAVE THESE INSTRUCTIONS.

⚠ WARNING: DO NOT let comfort or familiarity with product (gained from repeated use) replace strict adherence to safety rules for the subject product. MISUSE or failure to follow the safety rules stated in this instruction manual may cause serious personal injury.

Symbols

The followings show the symbols used for tool.

v	volts
— ---	direct current
n₀	no load speed
... /min r /min	revolutions or reciprocation per minute

Important safety instructions for battery cartridge

- Before using battery cartridge, read all instructions and cautionary markings on (1) battery charger, (2) battery, and (3) product using battery.
- Do not disassemble battery cartridge.
- If operating time has become excessively shorter, stop operating immediately. It may result in a risk of overheating, possible burns and even an explosion.
- If electrolyte gets into your eyes, rinse them out with clear water and seek medical attention right away. It may result in loss of your eyesight.
- Do not short the battery cartridge:
 - Do not touch the terminals with any conductive material.
 - Avoid storing battery cartridge in a container with other metal objects such as nails, coins, etc.
 - Do not expose battery cartridge to water or rain.

A battery short can cause a large current flow, overheating, possible burns and even a breakdown.
- Do not store the tool and battery cartridge in locations where the temperature may reach or exceed 50 °C (122 °F).
- Do not incinerate the battery cartridge even if it is severely damaged or is completely worn out. The battery cartridge can explode in a fire.
- Be careful not to drop or strike battery.
- Do not use a damaged battery.

- The contained lithium-ion batteries are subject to the Dangerous Goods Legislation requirements.

For commercial transports e.g. by third parties, forwarding agents, special requirement on packaging and labeling must be observed. For preparation of the item being shipped, consulting an expert for hazardous material is required. Please also observe possibly more detailed national regulations. Tape or mask off open contacts and pack up the battery in such a manner that it cannot move around in the packaging.

- Follow your local regulations relating to disposal of battery.
- Use the batteries only with the products specified by Makita. Installing the batteries to non-compliant products may result in a fire, excessive heat, explosion, or leak of electrolyte.

SAVE THESE INSTRUCTIONS.

⚠ CAUTION: Only use genuine Makita batteries. Use of non-genuine Makita batteries, or batteries that have been altered, may result in the battery bursting causing fires, personal injury and damage. It will also void the Makita warranty for the Makita tool and charger.

Tips for maintaining maximum battery life

- Charge the battery cartridge before completely discharged. Always stop tool operation and charge the battery cartridge when you notice less tool power.
- Never recharge a fully charged battery cartridge. Overcharging shortens the battery service life.
- Charge the battery cartridge with room temperature at 10 °C - 40 °C (50 °F - 104 °F). Let a hot battery cartridge cool down before charging it.

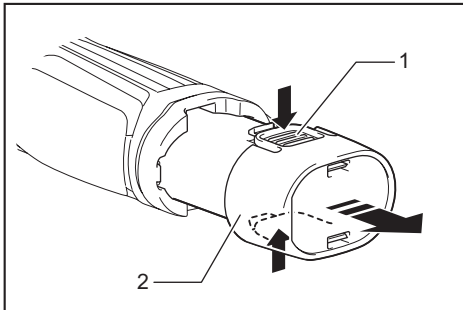
FUNCTIONAL DESCRIPTION

CAUTION: Always be sure that the tool is switched off and the battery cartridge is removed before adjusting or checking function on the tool.

Installing or removing battery cartridge

CAUTION: Always switch off the tool before installing or removing of the battery cartridge.

CAUTION: Hold the tool and the battery cartridge firmly when installing or removing battery cartridge. Failure to hold the tool and the battery cartridge firmly may cause them to slip off your hands and result in damage to the tool and battery cartridge and a personal injury.



► 1. Button 2. Battery cartridge

To remove the battery cartridge, withdraw it from the tool while pressing the buttons on both sides of the cartridge.

To install the battery cartridge, align the tongue on the battery cartridge with the groove in the housing and slip it into place.

CAUTION: Always insert it until it locks in place with a little click. If not, it may accidentally fall out of the tool, causing injury to you or someone around you.

CAUTION: Do not install the battery cartridge forcibly. If the cartridge does not slide in easily, it is not being inserted correctly.

Battery protection system

The tool is equipped with a battery protection system. This system automatically cuts off power to the motor to extend battery life.

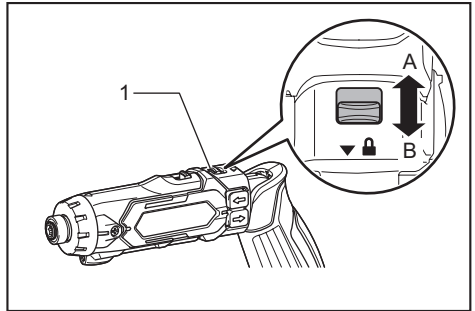
The tool will automatically stop during operation if the tool and/or battery are placed under the following condition:

Low battery voltage:

The remaining battery capacity is too low and the tool will not operate. If you turn the tool on, the motor runs again but stops soon. In this situation, remove and recharge the battery.

Lock lever

CAUTION: When not operating the tool, always set the lock lever in the locked position B.



► 1. Lock lever

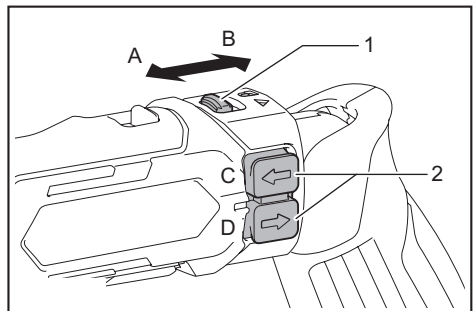
When the lock lever is in the locked position B, the switch cannot be actuated.

When the lock lever is in the unlocked position A, the switch can be actuated.

Switch action

CAUTION: Before installing the battery cartridge into the tool, always check to see that the switch actuates properly and returns to the "OFF" position when released.

CAUTION: Always check the direction of rotation before operation.

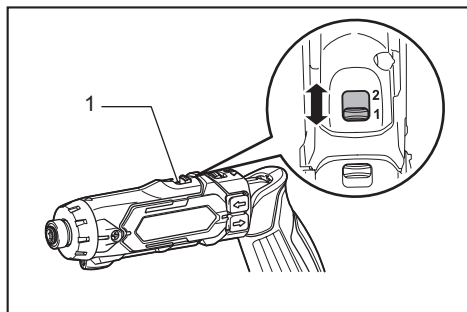


► 1. Lock lever 2. Switch

To start the tool, first move the lock lever to the unlocked position A to release the switch. And then simply push the switch on the ⇐ C side for the clockwise rotation and the ⇒ D side for the counterclockwise rotation. Release the switch to stop.

NOTICE: Change the direction only after the tool comes to a complete stop. Changing the direction of rotation before the tool stops may damage the tool.

Speed change



► 1. Speed change lever

CAUTION: Always set the speed change lever fully to the correct position. If you operate the tool with the speed change lever positioned halfway between the "1" side and "2" side, the tool may be damaged.

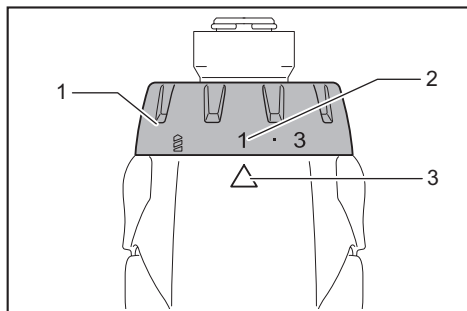
CAUTION: Do not use the speed change lever while the tool is running. The tool may be damaged.

Position of speed change lever	Speed	Torque	Applicable operation
1	Low	High	Heavy loading operation
2	High	Low	Light loading operation

To change the speed, switch off the tool first. Select the "2" side for high speed or "1" for low speed but high torque. Be sure that the speed change lever is set to the correct position before operation.

If the tool speed is coming down extremely during the operation with "2", slide the lever to the "1" and restart the operation.

Adjusting the fastening torque



► 1. Adjusting ring 2. Graduation 3. Arrow


The fastening torque can be adjusted in 22 levels by turning the adjusting ring. Align the graduations with the arrow on the tool body. You can get the minimum fastening torque at 1 and maximum torque at 22 marking. The clutch will slip at various torque levels when set at the number 1 to 21. The clutch does not work at the 22 marking.

Before actual operation, drive a trial screw into your material or a piece of duplicate material to determine which torque level is required for a particular application.

NOTE: See the following chart for the relation between the number of torque setting and fastening torque rate.

The fastening torque rate will be different depends on materials. Make a test fastening to get the desired torque before operation.

Guideline for clutch auto stop

Work range of clutch auto-stop		Increments on adjusting ring for fastening torque	Fastening torque
High	Low		
✓	✓	1	Approx. 0.3 N·m (Approx. 0.2 ft·lbs)
✓	✓	5	Approx. 0.82 N·m (Approx. 0.6 ft·lbs)
✓	✓	9	Approx. 1.35 N·m (Approx. 1.0 ft·lbs)
-	✓	13	Approx. 1.88 N·m (Approx. 1.4 ft·lbs)
-	✓	17	Approx. 2.41 N·m (Approx. 1.8 ft·lbs)
-	✓	21	Approx. 2.9 N·m (Approx. 2.1 ft·lbs)
-	-		At low speed, approx. 8 N·m (Approx. 5.9 ft·lbs)
-	-		At high speed, approx. 1.5 N·m (Approx. 1.1 ft·lbs)

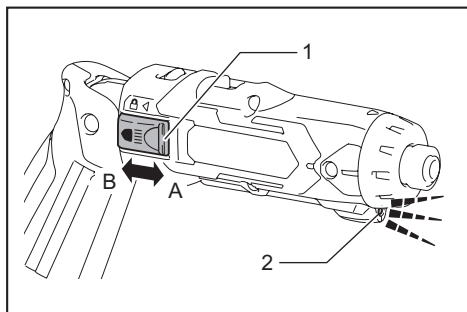
When driving machine screws	Increments	Guideline for machine screw diameter
	1 - 3	2.5 mm (3/32")
	4 - 8	3 mm (1/8")
	9 - 18	4 mm (5/32")
	19 - 21	5 mm (3/16")

Lighting up the front lamp

CAUTION: Do not look in the light or see the source of light directly.

To turn on the light, slide the lamp switch to the A position. To turn off the light, slide the lamp switch to B position.

Even if you leave the lamp on, the light will automatically turn off after 5 minutes.



► 1. Lamp switch 2. Lamp

NOTE: The lamp signals by flickering during use when the battery power is almost used up.

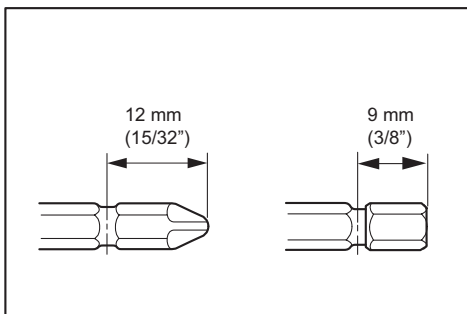
At this time, recharge the battery or replace the battery with a fully charged one.

ASSEMBLY

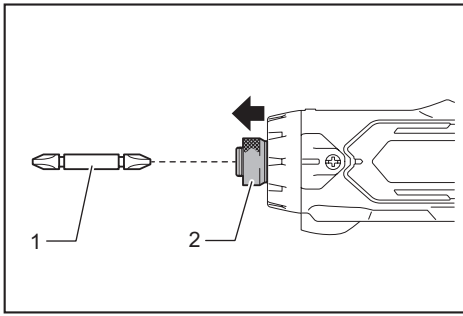
CAUTION: Always be sure that the tool is switched off and the battery cartridge is removed before carrying out any work on the tool.

Installing or removing driver bit/ socket bit

Optional accessory



Use only the driver bit/socket bit shown in the figure. Do not use any other driver bit/socket bit.



► 1. Driver bit 2. Sleeve

To install the driver bit, pull the sleeve in the direction of the arrow and insert the driver bit into the sleeve as far as it will go. Then release the sleeve to secure the driver bit.

To remove the driver bit, pull the sleeve in the direction of the arrow and pull the driver bit out.

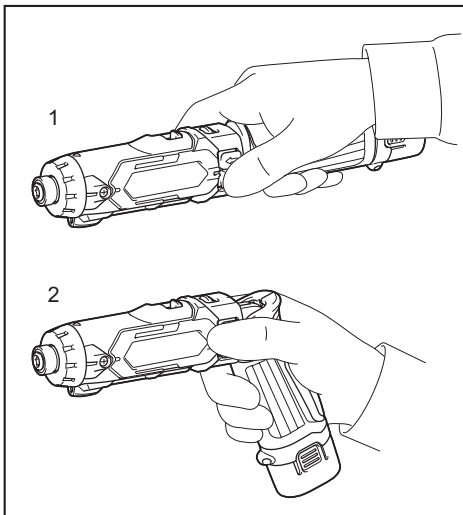
NOTE: If the driver bit is not inserted deep enough into the sleeve, the sleeve will not return to its original position and the driver bit will not be secured. In this case, try re-inserting the bit according to the instructions above.

NOTE: After inserting the driver bit, make sure that it is firmly secured. If it comes out, do not use it.

OPERATION

CAUTION: When bending the tool to use in the pistol shape or straightening to use in the straight shape, do not hold the bendable part of the tool. Failure to do so may cause your hand and fingers to be pinched and injured by this part.

The tool can be used in two ways; a straight shape and a pistol shape which are selectable according to the conditions of workplace and screwdriving.



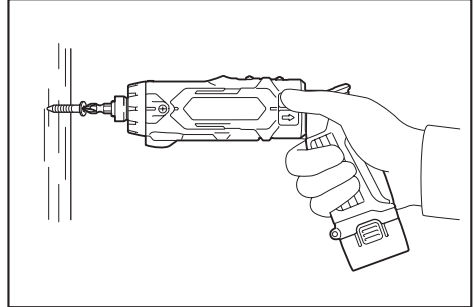
► 1. Straight shape 2. Pistol shape

Screwdriving operation

CAUTION: Adjust the adjusting ring to the proper torque level for your work.


CAUTION: Make sure that the driver bit is inserted straight in the screw head, or the screw and/or driver bit may be damaged.

Place the point of the driver bit in the screw head and apply pressure to the tool. Then switch the tool on. When the clutch cuts in, the motor will stop automatically. Then release the switch.



NOTE: When driving wood screw, pre-drill a pilot hole 2/3 the diameter of the screw. It makes driving easier and prevents splitting of the workpiece.

Drilling operation

First, turn the adjusting ring so that the arrow points to the  marking. Then proceed as follows.

Drilling in wood

When drilling in wood, the best results are obtained with wood drills equipped with a guide screw. The guide screw makes drilling easier by pulling the drill bit into the workpiece.

Drilling in metal

To prevent the drill bit from slipping when starting a hole, make an indentation with a center-punch and hammer at the point to be drilled. Place the point of the drill bit in the indentation and start drilling. Use a cutting lubricant when drilling metals. The exceptions are iron and brass which should be drilled dry.

CAUTION: Pressing excessively on the tool will not speed up the drilling. In fact, this excessive pressure will only serve to damage the tip of your drill bit, decrease the tool performance and shorten the service life of the tool.

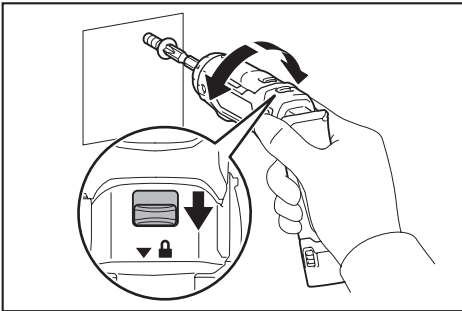
CAUTION: Hold the tool firmly and exert care when the drill bit begins to break through the workpiece. There is a tremendous force exerted on the tool/drill bit at the time of hole break through.

CAUTION: A stuck drill bit can be removed simply by setting the reversing switch to reverse rotation in order to back out. However, the tool may back out abruptly if you do not hold it firmly.

CAUTION: Always secure workpieces in a vise or similar hold-down device.

CAUTION: If the tool is operated continuously until the battery cartridge has discharged, allow the tool to rest for 15 minutes before proceeding with a fresh battery.

Using the tool as a hand screwdriver



Switch off the tool.

Move the lock lever to the locked position .

Turn the tool.

NOTICE: Use the tool with a fastening torque less than 5 N•m (3.7 ft•lbs).

NOTICE: Do not use the tool for work requiring excessive force, such as tightening bolt M6 or bolts greater than M6 or removing rusted screws.

NOTE: This use is convenient for checking the screwdriving.

MAINTENANCE

CAUTION: Always be sure that the tool is switched off and the battery cartridge is removed before attempting to perform inspection or maintenance.

NOTICE: Never use gasoline, benzine, thinner, alcohol or the like. Discoloration, deformation or cracks may result.

To maintain product SAFETY and RELIABILITY, repairs, any other maintenance or adjustment should be performed by Makita Authorized or Factory Service Centers, always using Makita replacement parts.

OPTIONAL ACCESSORIES

CAUTION: These accessories or attachments are recommended for use with your Makita tool specified in this manual. The use of any other accessories or attachments might present a risk of injury to persons. Only use accessory or attachment for its stated purpose.

If you need any assistance for more details regarding these accessories, ask your local Makita Service Center.

- Drill bits
- Driver bits
- Socket bits
- Plastic carrying case
- Makita genuine battery and charger

NOTE: Some items in the list may be included in the tool package as standard accessories. They may differ from country to country.

MAKITA LIMITED WARRANTY

Please refer to the annexed warranty sheet for the most current warranty terms applicable to this product. If annexed warranty sheet is not available, refer to the warranty details set forth at below website for your respective country.

United States of America: www.makitatools.com

Canada: www.makita.ca

Other countries: www.makita.com

SPÉCIFICATIONS

Modèle :		DF012D
Capacités de perçage	Acier	5 mm (3/16")
	Bois	6 mm (1/4")
Capacités de serrage	Vis à bois	ø3,8 mm x 45 mm (5/32" x 1-3/4")
	Vis de mécanique	M5 (3/16")
Vitesse à vide (T/MIN)	Grande (2)	650 /min
	Réduite (1)	200 /min
Longueur totale	En forme rectiligne	273 mm (10-3/4")
	En forme de pistolet	218 mm (8-5/8")
Tension nominale	C.C. 7,2 V	
Batterie standard	BL0715	
Poids net	0,53 kg (1,2 lbs)	

- Étant donné l'évolution constante de notre programme de recherche et développement, les spécifications contenues dans ce manuel sont sujettes à modification sans préavis.
- Les spécifications et la batterie peuvent varier suivant les pays.
- Poids, batterie comprise, conforme à la procédure EPTA 01/2014

CONSIGNES DE SÉCURITÉ

Consignes de sécurité générales pour outils électriques

⚠ MISE EN GARDE : Lisez toutes les consignes de sécurité et toutes les instructions. L'ignorance des mises en garde et des instructions comporte un risque de choc électrique, d'incendie et/ou de blessure grave.

Conservez toutes les mises en garde et instructions pour référence future.

Le terme « outil électrique » qui figure dans les avertissements fait référence à un outil électrique branché sur une prise de courant (par un cordon d'alimentation) ou alimenté par batterie (sans fil).

Sécurité de la zone de travail

1. **Maintenez la zone de travail propre et bien éclairée.** Les zones de travail encombrées ou sombres ouvrent grande la porte aux accidents.
2. **N'utilisez pas les outils électriques dans les atmosphères explosives, par exemple en présence de liquides, gaz ou poussières inflammables.** Les outils électriques produisent des étincelles au contact desquelles la poussière ou les vapeurs peuvent s'enflammer.
3. **Assurez-vous qu'aucun enfant ou curieux ne s'approche pendant que vous utilisez un outil électrique.** Vous risquez de perdre la maîtrise de l'outil si votre attention est détournée.

Sécurité en matière d'électricité

1. **Les fiches d'outil électrique sont conçues pour s'adapter parfaitement aux prises de courant. Ne modifiez jamais la fiche de quelque façon que ce soit. N'utilisez aucun adaptateur de fiche sur les outils électriques avec mise à la terre.** En ne modifiant pas les fiches et en les insérant dans des prises de courant pour lesquelles elles ont été conçues, vous réduirez les risques de choc électrique.
2. **Évitez tout contact corporel avec les surfaces mises à la terre, telles que tuyaux, radiateurs, cuisinières et réfrigérateurs.** Le risque de choc électrique est plus élevé si votre corps se trouve mis à la terre.
3. **N'exposez pas les outils électriques à la pluie ou à l'eau.** La présence d'eau dans un outil électrique augmente le risque de choc électrique.
4. **Ne maltraitez pas le cordon. N'utilisez jamais le cordon pour transporter, tirer ou débrancher l'outil électrique. Maintenez le cordon à l'écart des sources de chaleur, de l'huile, des objets à bords tranchants et des pièces en mouvement.** Le risque de choc électrique est plus élevé lorsque les cordons sont endommagés ou enchevêtrés.
5. **Lorsque vous utilisez un outil électrique à l'extérieur, utilisez un cordon prolongateur conçu pour l'usage extérieur.** Les risques de choc électrique est moindre lorsqu'un cordon conçu pour l'usage extérieur est utilisé.
6. **Si vous devez utiliser un outil électrique dans un endroit humide, utilisez une source d'alimentation protégée par un disjoncteur de fuite à la terre.** L'utilisation d'un disjoncteur de fuite à la terre réduit le risque de choc électrique.

Sécurité personnelle

1. **Restez alerte, attentif à vos mouvements et faites preuve de bon sens lorsque vous utilisez un outil électrique. N'utilisez pas les outils électriques si vous êtes fatigué ou avez pris une drogue, de l'alcool ou un médicament.** Un moment d'inattention pendant l'utilisation d'un outil électrique peut entraîner une grave blessure.
2. **Portez des dispositifs de protection personnelle. Portez toujours une protection oculaire.** Les risques de blessure seront moins élevés si vous utilisez des dispositifs de protection tels qu'un masque anti-poussière, des chaussures à semelle antidérapante, une coiffure résistante ou une protection d'oreilles.
3. **Évitez les démarrages accidentels. Assurez-vous que l'interrupteur est en position d'arrêt avant de brancher l'outil à la prise de courant et/ou au bloc-piles, et avant de prendre ou de transporter l'outil.** Vous ouvrez la porte aux accidents si vous transportez les outils électriques avec le doigt sur l'interrupteur ou si vous les branchez alors que l'interrupteur est en position de marche.
4. **Retirez toute clé de réglage ou de serrage avant de mettre l'outil électrique sous tension.** Toute clé laissée en place sur une pièce rotative de l'outil électrique peut entraîner une blessure.
5. **Ne vous étirez pas exagérément. Assurez-vous d'une bonne prise au sol et d'un bon équilibre en tout temps.** Cela vous permettra d'avoir une meilleure maîtrise de l'outil électrique dans les situations imprévues.
6. **Portez des vêtements adéquats. Ne portez ni vêtements amples ni bijoux. Vous devez maintenir cheveux, vêtements et gants à l'écart des pièces en mouvement.** Les pièces en mouvement peuvent happer les vêtements amples, les bijoux et les cheveux longs.
7. **Si des accessoires sont fournis pour raccorder un appareil d'aspiration et de collecte de la poussière, assurez-vous qu'ils sont correctement raccordés et qu'ils sont utilisés de manière adéquate.** L'utilisation d'un appareil de collecte permet de réduire les risques liés à la présence de poussière dans l'air.

Utilisation et entretien des outils électriques

1. **Ne forcez pas l'outil électrique. Utilisez l'outil électrique adéquat suivant le type de travail à effectuer.** Si vous utilisez l'outil électrique adéquat et respectez le régime pour lequel il a été conçu, il effectuera un travail de meilleure qualité et plus sécuritaire.
2. **N'utilisez pas l'outil électrique s'il n'est pas possible de l'allumer et de l'éteindre avec son interrupteur.** Un outil électrique dont l'interrupteur est défectueux représente un danger et doit être réparé.
3. **Débranchez la fiche de la source d'alimentation et/ou retirez le bloc-piles de l'outil électrique avant d'effectuer tout réglage, de remplacer un accessoire ou de ranger l'outil électrique.** De telles mesures préventives réduisent les risques de démarrage accidentel de l'outil électrique.

4. **Après l'utilisation d'un outil électrique, rangez-le hors de portée des enfants et ne laissez aucune personne l'utiliser si elle n'est pas familiarisée avec l'outil électrique ou les présentes instructions d'utilisation.** Les outils électriques représentent un danger entre les mains de personnes qui n'en connaissent pas le mode d'utilisation.
5. **Veillez à l'entretien des outils électriques. Assurez-vous que les pièces mobiles ne sont pas désalignées ou coincées, qu'aucune pièce n'est cassée et que l'outil électrique n'a subi aucun dommage affectant son bon fonctionnement. Le cas échéant, faites réparer l'outil électrique avant de l'utiliser.** De nombreux accidents sont causés par des outils électriques mal entretenus.
6. **Maintenez les outils tranchants bien aiguisés et propres.** Un outil tranchant dont l'entretien est effectué correctement et dont les bords sont bien aiguisés risquera moins de se coincer et sera plus facile à maîtriser.
7. **Utilisez l'outil électrique, ses accessoires, ses embouts, etc., en respectant les présentes instructions, en tenant compte des conditions de travail et du type de travail à effectuer.** L'utilisation d'un outil électrique pour d'autres usages que ceux prévus peut entraîner une situation dangereuse.

Utilisation et entretien des outils alimentés par batterie

1. **Pour recharger, utilisez uniquement le chargeur spécifié par le fabricant.** L'utilisation d'un chargeur conçu pour un type donné de bloc-piles comporte un risque d'incendie lorsqu'il est utilisé avec un autre type de bloc-piles.
2. **N'utilisez un outil électrique qu'avec le bloc-piles conçu spécifiquement pour cet outil.** Il y a risque de blessure ou d'incendie si un autre bloc-piles est utilisé.
3. **Lorsque vous n'utilisez pas le bloc-piles, rangez-le à l'écart des objets métalliques tels que trombones, pièces de monnaie, clés, clous, vis ou autres petits objets métalliques qui risqueraient d'établir une connexion entre les bornes.** La mise en court-circuit des bornes de batterie peut causer des brûlures ou un incendie.
4. **Dans des conditions d'utilisation inadéquates de la batterie, il peut y avoir fuite d'électrolyte; évitez tout contact avec ce liquide. En cas de contact accidentel, rincez avec beaucoup d'eau. Si le liquide pénètre dans vos yeux, il faut aussi consulter un médecin.** L'électrolyte qui s'échappe de la batterie peut causer des irritations ou des brûlures.
5. **N'utilisez pas une batterie ou un outil s'il est endommagé ou modifié.** Les batteries endommagées ou modifiées peuvent avoir un comportement imprévisible dont peut résulter un incendie, une explosion ou un risque de blessure.
6. **N'exposez pas une batterie ou un outil au feu ou à une température excessive.** L'exposition au feu ou à une température supérieure à 130 °C peut entraîner une explosion.

7. **Suivez toutes les instructions de charge et ne chargez pas la batterie ou l'outil à l'extérieur de la plage de température spécifiée dans les instructions.** Charger de manière inadéquate ou à des températures hors de la plage spécifiée peut endommager la batterie et augmenter le risque d'incendie.

Réparation

1. **Faites réparer votre outil électrique par un réparateur qualifié qui utilise des pièces de rechange identiques aux pièces d'origine.** Le maintien de la sûreté de l'outil électrique sera ainsi assuré.
2. **Suivez les instructions de lubrification et de remplacement des accessoires.**
3. **Maintenez les poignées de l'outil sèches, propres et exemptes d'huile ou de graisse.**
4. **Ne modifiez pas ou n'essayez pas de réparer l'appareil ou la batterie autrement que tel qu'indiqué dans les instructions d'utilisation et d'entretien.**

Consignes de sécurité pour la perceuse-visseuse sans fil

1. **Utilisez la ou les poignées auxiliaires si elles sont fournies avec l'outil.** Toute perte de maîtrise comporte un risque de blessure.
2. **Tenez l'outil électrique par ses surfaces de prise isolées pendant toute opération où l'accessoire de coupe pourrait venir en contact avec un câblage dissimulé.** En cas de contact avec un conducteur sous tension, les pièces métalliques à découvert de l'outil électrique pourraient devenir sous tension et risqueraient de transmettre un choc électrique à l'utilisateur.
3. **Tenez l'outil électrique par ses surfaces de prise isolées pendant toute opération où l'accessoire de fixation pourrait venir en contact avec un câblage dissimulé.** En cas de contact avec un conducteur sous tension, les pièces métalliques à découvert de l'outil électrique peuvent devenir sous tension et transmettre un choc électrique à l'utilisateur.
4. **Pensez toujours à prendre pied solidement. Assurez-vous qu'il n'y a personne plus bas lorsque vous utilisez l'outil en position élevée.**
5. **Tenez l'outil fermement.**
6. **Gardez les mains éloignées des pièces en rotation.**
7. **N'abandonnez pas l'outil alors qu'il tourne. Ne faites fonctionner l'outil qu'une fois que vous l'avez bien en main.**
8. **Ne touchez pas l'embout-foret ni la pièce tout de suite après l'opération, car ils peuvent être extrêmement chauds et vous brûler.**
9. **Certains matériaux contiennent des produits chimiques qui peuvent être toxiques. Prenez les précautions nécessaires pour éviter l'inhalation de ces poussières ou leur contact avec la peau. Conformez-vous aux consignes de sécurité du fournisseur du matériau.**

10. **Si l'embout-mèche ne peut être desserré même en ouvrant les mâchoires, utilisez une pince pour le retirer.** Le cas échéant, retirer l'embout-mèche avec la main peut entraîner une blessure au contact du bord tranchant.

CONSERVEZ CES INSTRUCTIONS.

⚠ MISE EN GARDE : NE vous laissez PAS tromper (au fil d'une utilisation répétée) par un sentiment d'aisance ou de familiarité avec le produit en négligeant les consignes de sécurité qui accompagnent le produit. **UNE UTILISATION INCORRECTE** ou le non-respect des règles de sécurité énoncées dans le présent manuel d'instructions peut provoquer des blessures graves.

Symboles

Les symboles utilisés pour l'outil sont indiqués ci-dessous.

v	volts
— — —	courant continu
n _o	vitesse à vide
... /min r/min	tours ou alternances par minute

Consignes de sécurité importantes pour la batterie

1. **Avant d'utiliser la batterie, lisez toutes les instructions et les mises en garde apposées sur (1) le chargeur de batterie, (2) la batterie et (3) le produit utilisant la batterie.**
2. **Ne démontez pas la batterie.**
3. **Cessez immédiatement l'utilisation si le temps de fonctionnement devient excessivement court. Il y a risque de surchauffe, de brûlures, voire d'explosion.**
4. **Si l'électrolyte pénètre dans vos yeux, rincez-les à l'eau claire et consultez immédiatement un médecin. Il y a risque de perte de la vue.**
5. **Ne court-circuitez pas la batterie :**
 - (1) **Ne touchez les bornes avec aucun matériau conducteur.**
 - (2) **Évitez de ranger la batterie dans un conteneur avec d'autres objets métalliques tels que clous, pièces de monnaie, etc.**
 - (3) **Évitez d'exposer la batterie à l'eau ou à la pluie.**

Un court-circuit de la batterie pourrait provoquer un fort courant, une surchauffe, parfois des brûlures et même une panne.
6. **Ne rangez pas l'outil ou la batterie dans des emplacements où la température peut atteindre ou dépasser 50 °C (122 °F).**

7. **Ne jetez pas la batterie au feu même si elle est sérieusement endommagée ou complètement épuisée. La batterie peut exploser au contact du feu.**
8. **Prenez garde d'échapper ou de heurter la batterie.**
9. **N'utilisez pas une batterie si elle est endommagée.**
10. **Les batteries lithium-ion fournies sont soumises aux exigences de la législation sur les marchandises dangereuses.**
Des exigences particulières sur l'emballage et l'étiquetage doivent être respectées lors du transport commercial par des tiers, des transitaires, etc. Pour préparer la marchandise à expédier, consultez un expert en matériaux dangereux si nécessaire. Respectez aussi les éventuelles réglementations nationales plus détaillées.
Recouvrez de ruban isolant les contacts exposés, et emballez la batterie de sorte qu'elle ne puisse pas se déplacer à l'intérieur de l'emballage.
11. **Suivez la réglementation locale concernant l'élimination de la batterie.**
12. **N'utilisez les batteries qu'avec les produits spécifiés par Makita.** Installer les batteries sur des produits non conformes peut entraîner un incendie, une chaleur excessive, une explosion ou une fuite d'électrolyte.

CONSERVEZ CES INSTRUCTIONS.

ATTENTION : Utilisez exclusivement les batteries fabriquées par Makita. Les batteries autres que celles fabriquées par Makita ou les batteries modifiées peuvent exploser et causer un incendie, une blessure ou des dommages. Cela annule aussi la garantie Makita de l'outil et du chargeur Makita.

Conseils pour maintenir la durée de service maximale de la batterie

1. **Rechargez la batterie avant qu'elle ne soit complètement déchargée. Arrêtez toujours l'outil et rechargez la batterie quand vous remarquez que la puissance de l'outil diminue.**
2. **Ne rechargez jamais une batterie complètement chargée. La surcharge réduit la durée de service de la batterie.**
3. **Chargez la batterie à une température ambiante comprise entre 10 °C et 40 °C (50 °F et 104 °F). Si la batterie est chaude, laissez-la refroidir avant de la charger.**

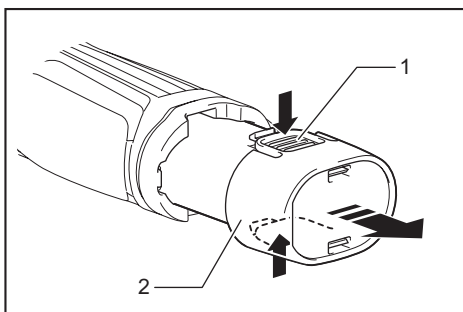
DESCRIPTION DU FONCTIONNEMENT

ATTENTION : Assurez-vous toujours que l'outil est éteint et que sa batterie est retirée avant de l'ajuster ou de vérifier son fonctionnement.

Installation ou retrait de la batterie

ATTENTION : Éteignez toujours l'outil avant d'installer ou de retirer la batterie.

ATTENTION : Tenez fermement l'outil et la batterie lors de l'installation ou du retrait de cette dernière. Si l'outil et la batterie ne sont pas tenus fermement, ils risquent de vous glisser des mains et de subir des dommages, ou encore de vous blesser.



► 1. Bouton 2. Batterie

Pour retirer la batterie, sortez-la de l'outil tout en appuyant sur les boutons des deux côtés de la batterie. Pour installer la batterie, alignez la languette de la batterie sur la rainure du carter et glissez-la en place.

ATTENTION : Insérez-la toujours jusqu'à ce qu'elle se verrouille en place avec un léger bruit sec. Autrement elle risque de vous blesser ou de blesser quelqu'un près de vous en tombant accidentellement de l'outil.

ATTENTION : Ne forcez pas sur la batterie pour l'installer. Si la batterie ne glisse pas facilement, c'est qu'elle n'est pas insérée correctement.

Dispositif de protection de la batterie

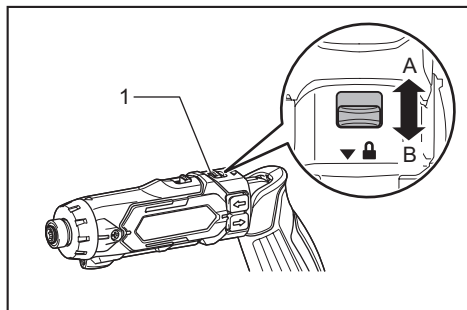
L'outil est équipé d'un système de protection de la batterie. Ce système coupe automatiquement l'alimentation du moteur pour augmenter la durée de vie de la batterie. L'outil s'arrête automatiquement pendant l'utilisation lorsque l'outil et/ou la batterie est dans la situation suivante :

Tension de la batterie faible :

La capacité restante de la batterie est trop faible pour que l'outil puisse fonctionner. Si vous allumez l'outil, le moteur tourne de nouveau mais s'arrête aussitôt. Dans cette situation, retirez et rechargez la batterie.

Levier de verrouillage

ATTENTION : Lorsque vous n'utilisez pas l'outil, placez toujours le levier de verrouillage sur la position verrouillée B.



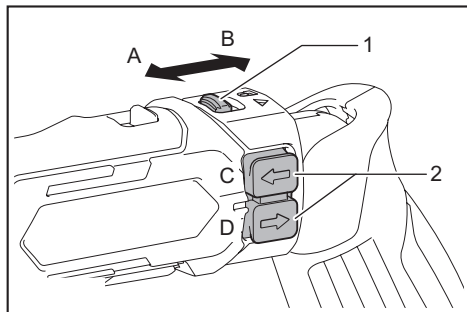
► 1. Levier de verrouillage

Lorsque le levier de verrouillage est sur la position verrouillée B, il n'est pas possible d'activer l'interrupteur. Lorsque le levier de verrouillage est sur la position déverrouillée A, il est possible d'activer l'interrupteur.

Interrupteur

ATTENTION : Avant d'installer la batterie dans l'outil, vérifiez toujours que l'interrupteur fonctionne bien et revient en position d'arrêt lorsque libéré.

ATTENTION : Avant l'utilisation, vérifiez toujours le sens de la rotation.

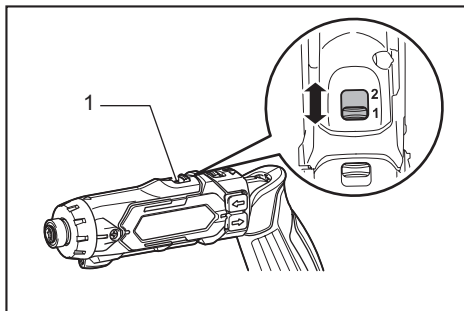


► 1. Levier de verrouillage 2. Interrupteur

Pour faire démarrer l'outil, déplacez d'abord le levier de verrouillage sur la position déverrouillée A pour libérer l'interrupteur. Ensuite, enfoncez simplement l'interrupteur du côté C ↶ pour une rotation dans le sens des aiguilles d'une montre, et du côté D ↷ pour une rotation dans le sens contraire des aiguilles d'une montre. Pour l'arrêter, libérez l'interrupteur.

AVIS : Ne changez le sens qu'une fois l'outil parfaitement arrêté. Changer le sens de rotation avant que l'outil ne s'arrête peut endommager l'outil.

Changement de vitesse



► 1. Levier de changement de vitesse

ATTENTION : Réglez toujours le levier de changement de vitesse exactement sur la position voulue. Si vous actionnez l'outil alors que le levier est placé à mi-chemin entre la position « 1 » et la position « 2 », vous risquez d'endommager l'outil.

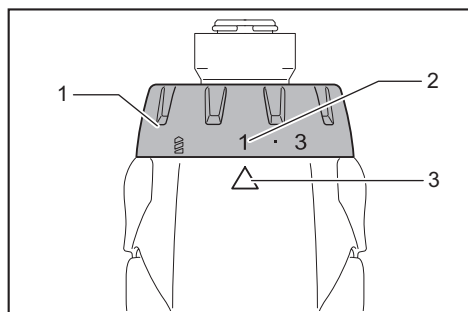
ATTENTION : Ne modifiez pas la position du levier de changement de vitesse pendant que l'outil tourne. Vous risqueriez d'endommager l'outil.

Position du levier de changement de vitesse	Vitesse	Couple de serrage	Type de travail
1	Réduite	Élevée	Charge de travail lourde
2	Élevé	Réduit	Charge de travail légère


Pour modifier la vitesse, éteignez d'abord l'outil. Sélectionnez « 2 » pour une vitesse élevée, ou « 1 » pour une vitesse réduite avec un couple de serrage élevé. Avant d'utiliser l'outil, assurez-vous que le levier de changement de vitesse se trouve à la position adéquate.


Si la vitesse de l'outil ralentit extrêmement tandis que la position « 2 » est utilisée, faites glisser le levier à la position « 1 », puis poursuivez le travail.

Réglage du couple de serrage



► 1. Bague de réglage 2. Graduation 3. Flèche

Le couple de serrage peut être réglé sur un des 22 niveaux en tournant la bague de réglage. Alignez les graduations avec la flèche sur le bâti de l'outil. Le couple de serrage est au minimum lorsqu'il est à 1 et au maximum lorsqu'il est à l'indication .


L'embrayage s'engagera aux divers niveaux de couple de serrage, du numéro 1 au numéro 21. L'embrayage ne s'engage pas sur l'indication .

Avant d'effectuer le véritable travail, faites un essai de vissage dans le matériau en question ou dans un matériau identique pour savoir quel est le niveau de couple requis pour ce travail particulier.

NOTE : Consultez le tableau suivant pour connaître la relation entre le numéro du réglage de couple et le couple de serrage.

Le couple de serrage variera selon le matériau. Faites un essai de vissage pour obtenir le couple désiré avant d'effectuer le travail.

Guide pour l'arrêt automatique de l'engrenage

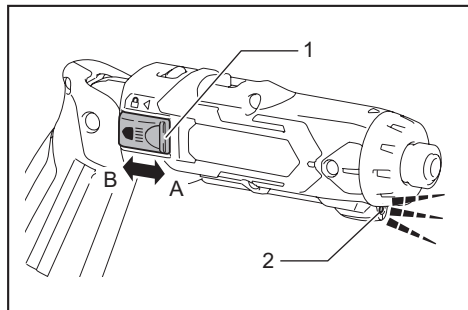
Plage d'activation de l'arrêt automatique de l'engrenage		Gradations sur la bague de réglage du couple de serrage	Couple de serrage
Élevé	Bas		
✓	✓	1	Environ 0,3 N•m (Environ 0,2 ft•lbs)
✓	✓	5	Environ 0,82 N•m (Environ 0,6 ft•lbs)
✓	✓	9	Environ 1,35 N•m (Environ 1,0 ft•lbs)
-	✓	13	Environ 1,88 N•m (Environ 1,4 ft•lbs)
-	✓	17	Environ 2,41 N•m (Environ 1,8 ft•lbs)
-	✓	21	Environ 2,9 N•m (Environ 2,1 ft•lbs)
-	-		À vitesse basse, environ 8 N•m (Environ 5,9 ft•lbs)
-	-		À vitesse élevée, environ 1,5 N•m (Environ 1,1 ft•lbs)

Lors de la pose de vis de mécanique	Gradations	Guide pour le diamètre des vis de mécanique
	1 - 3	2,5 mm (3/32")
	4 - 8	3 mm (1/8")
	9 - 18	4 mm (5/32")
	19 - 21	5 mm (3/16")

Allumage de la lampe avant

ATTENTION : Évitez de regarder directement le faisceau lumineux ou sa source.

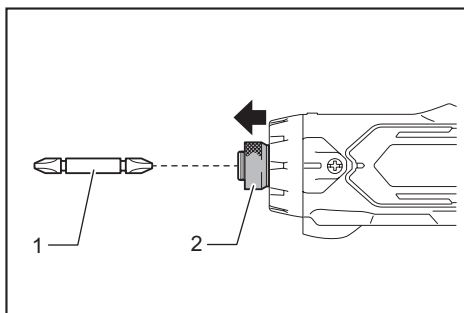
Pour allumer la lumière, faites glisser l'interrupteur de lampe sur la position A. Pour éteindre la lumière, faites glisser l'interrupteur de lampe sur la position B. Même si vous laissez la lampe allumée, la lumière s'éteindra automatiquement au bout de 5 minutes.



► 1. Interrupteur de lampe 2. Lampe

NOTE : Pendant l'utilisation, la lampe clignote pour signaler que la batterie est presque épuisée.

Le cas échéant, rechargez la batterie ou remplacez-la par une autre complètement chargée.



► 1. Embout-tournevis 2. Manchon

Pour installer l'embout-tournevis, tirez le manchon dans le sens de la flèche et insérez l'embout-tournevis à fond dans le manchon.

Relâchez ensuite le manchon pour fixer l'embout-tournevis.

Pour retirer l'embout-tournevis, tirez le manchon dans le sens de la flèche et dégagez l'embout-tournevis.

NOTE : Si l'embout-tournevis n'est pas inséré assez profondément dans le manchon, celui-ci ne reviendra sur sa position originale et l'embout-tournevis ne sera pas verrouillé. Le cas échéant, réessayez en suivant les instructions ci-dessus pour insérer l'embout.

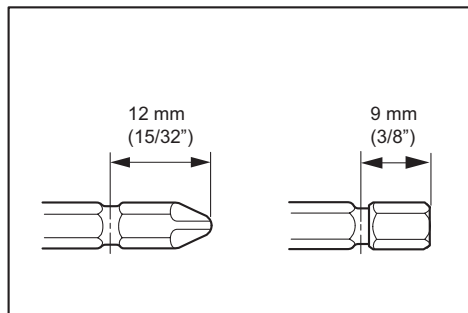
NOTE : Après avoir inséré l'embout-tournevis, assurez-vous qu'il est bien verrouillé. S'il sort du manchon, ne l'utilisez pas.

ASSEMBLAGE

ATTENTION : Assurez-vous toujours que l'outil est éteint et que sa batterie est retirée avant d'effectuer tout travail dessus.

Installation ou retrait de l'embout-tournevis ou de l'embout-douille

Accessoire en option

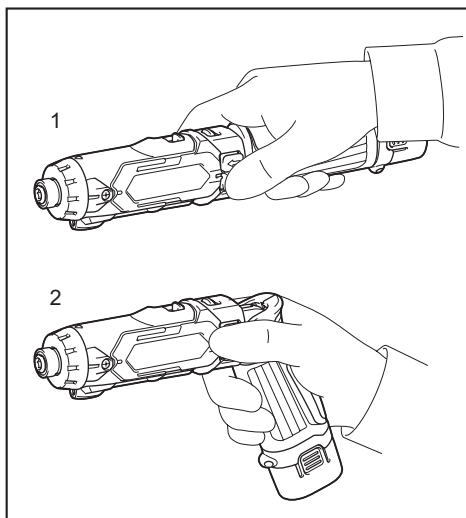


Utilisez uniquement l'embout-tournevis ou l'embout-douille indiqué sur la figure. N'utilisez aucun autre embout-tournevis ou embout-douille.

UTILISATION

ATTENTION : Lorsque vous pliez l'outil pour l'utiliser en forme de pistolet ou le dépliez pour l'utiliser en forme rectiligne, ne le tenez pas par sa partie pliable. Autrement vous risqueriez de vous blesser en vous coinçant la main et les doigts dans cette partie.

L'outil peut être utilisé de deux façons, la forme rectiligne et la forme de pistolet étant sélectionnables selon les conditions du lieu de travail et les conditions de vissage.



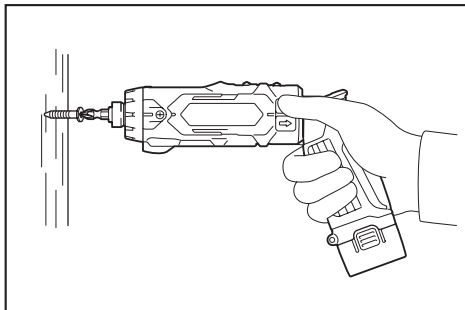
▶ 1. Forme rectiligne 2. Forme de pistolet

Vissage

ATTENTION : Ajustez la bague de réglage sur le niveau de couple de serrage qui convient au travail à effectuer.

ATTENTION : Assurez-vous que l'embout-tournevis est inséré bien droit dans la tête de vis, sinon la vis et/ou l'embout-tournevis risque d'être endommagé.

Mettez la pointe de l'embout-tournevis dans la tête de vis et appliquez une pression sur l'outil. Allumez ensuite l'outil. Le moteur s'arrête automatiquement lorsque l'engrenage s'engage. Libérez ensuite l'interrupteur.



NOTE : Avant d'insérer une vis à bois, percez un avant-trou d'un diamètre correspondant au 2/3 du diamètre de la vis. Cela facilite le vissage et évite le fendage de la pièce.

Perçage

Tournez d'abord la bague de réglage de sorte que la flèche pointe vers l'indication . Procédez ensuite comme suit.

Perçage du bois

Quand vous percez dans du bois, vous obtiendrez de meilleurs résultats avec des forets à bois munis d'une vis-guide. La vis-guide rend le perçage plus facile en entraînant l'embout-foret dans la pièce.

Perçage du métal

Pour éviter que l'embout-foret ne glisse lorsque vous commencez à percer un trou, faites une encoche à l'aide d'un pointeau et d'un marteau à l'emplacement où le trou doit être percé. Placez la pointe de l'embout-foret dans l'encoche et commencez le perçage.

Utilisez un lubrifiant de coupe lorsque vous percez dans les métaux. Le fer et le laiton font toutefois exception à cette règle; ils doivent être percés à sec.

ATTENTION : Une pression excessive sur l'outil n'accélère pas le perçage. Au contraire, elle risque d'endommager la pointe de l'embout-foret, d'affecter le rendement de l'outil et de raccourcir sa durée de service.

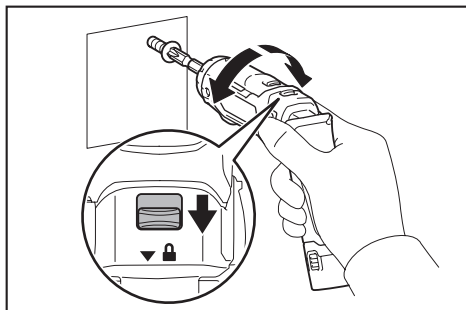
ATTENTION : Tenez l'outil fermement et faites bien attention lorsque l'embout-foret commence à approcher de la face opposée de la pièce. Une force énorme s'exerce sur l'outil et sur l'embout-foret au moment où ce dernier émerge de la face opposée.

ATTENTION : Un embout-foret coincé peut être retiré simplement en plaçant l'inverseur sur la rotation en sens inverse pour faire reculer l'outil. Il faut toutefois faire très attention, car l'outil risque de reculer brusquement si vous ne le tenez pas fermement.


ATTENTION : Immobilisez toujours les pièces à travailler dans un étau ou un dispositif de retenue similaire.

ATTENTION : Si l'outil est utilisé de manière continue jusqu'à ce que la batterie soit déchargée, laissez-le reposer 15 minutes avant de poursuivre l'opération avec une batterie fraîche.

Utilisation de l'outil en tant que tournevis manuel



Éteignez l'outil.

Mettez le levier de verrouillage sur la position verrouillée .

Faites tourner l'outil.

AVIS : Utilisez l'outil avec un couple de serrage inférieur à 5 N•m (3,7 ft•lbs).

AVIS : N'utilisez pas l'outil pour un travail qui demande une trop grande force, par exemple pour serrer un boulon M6 ou plus gros que M6, ou pour retirer des vis rouillées.

NOTE : Cette utilisation est appropriée pour vérifier le vissage.

ENTRETIEN

ATTENTION : Assurez-vous toujours que l'outil est hors tension et que la batterie est retirée avant d'y effectuer tout travail d'inspection ou d'entretien.

AVIS : N'utilisez jamais d'essence, de benzine, de solvant, d'alcool ou autres produits similaires. Une décoloration, une déformation ou la formation de fissures peuvent en découler.

Pour maintenir la SÉCURITÉ et la FIABILITÉ du produit, les réparations et tout autre travail d'entretien ou de réglage doivent être effectués dans un centre de service après-vente autorisé ou une usine Makita, exclusivement avec des pièces de rechange Makita.

ACCESSOIRES EN OPTION

ATTENTION : Ces accessoires ou pièces complémentaires sont recommandés pour l'utilisation avec l'outil Makita spécifié dans ce manuel. L'utilisation de tout autre accessoire ou pièce complémentaire peut comporter un risque de blessure. N'utilisez les accessoires ou pièces complémentaires qu'aux fins auxquelles ils ont été conçus.

Si vous désirez obtenir plus de détails sur ces accessoires, veuillez contacter le centre de service après-vente Makita le plus près.

- Embouts-forets
- Embouts-tournevis
- Embouts-douilles
- Mallette de transport en plastique
- Chargeur et batterie authentiques Makita

NOTE : Certains éléments de la liste peuvent être inclus avec l'outil comme accessoires standards. Ils peuvent varier suivant les pays.

GARANTIE LIMITÉE MAKITA

Pour les conditions de garantie en vigueur qui s'appliquent à ce produit, veuillez vous reporter à la feuille de garantie en annexe. Si la feuille de garantie en annexe n'est pas disponible, reportez-vous aux détails de la garantie présentés sur le site Web de votre pays, ci-dessous.

États-Unis d'Amérique: www.makitatools.com

Canada: www.makita.ca

Autres pays: www.makita.com

ESPECIFICACIONES

Modelo:		DF012D
Capacidades de taladrado	Acero	5 mm (3/16")
	Madera	6 mm (1/4")
Capacidades de apriete	Tornillo para madera	ø3,8 mm x 45 mm (5/32" x 1-3/4")
	Tornillo de máquina	5 mm (3/16")
Velocidad sin carga (rpm)	Alta (2)	650 r/min
	Baja (1)	200 r/min
Longitud total	Con forma recta	273 mm (10-3/4")
	Con forma de pistola	218 mm (8-5/8")
Tensión nominal		7,2 V c.c.
Cartucho de batería estándar		BL0715
Peso neto		0,53 kg (1,2 lbs)

- Debido a nuestro continuo programa de investigación y desarrollo, las especificaciones aquí incluidas están sujetas a cambio sin previo aviso.
- Las especificaciones y el cartucho de batería pueden variar de país a país.
- Peso de acuerdo al procedimiento de EPTA-01/2014 incluyendo el cartucho de batería

ADVERTENCIAS DE SEGURIDAD

Advertencias generales de seguridad para herramientas eléctricas

⚠ ADVERTENCIA: Lea todas las advertencias de seguridad e instrucciones. El no seguir las advertencias e instrucciones indicadas puede ocasionar una descarga eléctrica, un incendio y/o lesiones graves.

Conserve todas las advertencias e instrucciones como referencia en el futuro.

En las advertencias, el término "herramienta eléctrica" se refiere a su herramienta eléctrica de funcionamiento con conexión a la red eléctrica (con cableado eléctrico) o herramienta eléctrica de funcionamiento a batería (inalámbrica).

Seguridad en el área de trabajo

1. **Mantenga el área de trabajo limpia y bien iluminada.** Las áreas oscuras o desordenadas son propensas a accidentes.
2. **No utilice las herramientas eléctricas en atmósferas explosivas, tal como en la presencia de líquidos, gases o polvo inflamables.** Las herramientas eléctricas crean chispas que pueden prender fuego al polvo o los humos.

3. **Mantenga a los niños y curiosos alejados mientras utiliza una herramienta eléctrica.** Las distracciones le pueden hacer perder el control.

Seguridad eléctrica

1. **Las clavijas de conexión de las herramientas eléctricas deberán encajar perfectamente en la toma de corriente. No modifique nunca la clavija de conexión de ninguna forma. No utilice ninguna clavija adaptadora con herramientas eléctricas que tengan conexión a tierra (puesta a tierra).** La utilización de clavijas no modificadas y que encajen perfectamente en la toma de corriente reducirá el riesgo de que se produzca una descarga eléctrica.
2. **Evite tocar con el cuerpo superficies conectadas a tierra o puestas a tierra tales como tubos, radiadores, cocinas y refrigeradores.** Si su cuerpo es puesto a tierra o conectado a tierra existirá un mayor riesgo de que sufra una descarga eléctrica.
3. **No exponga las herramientas eléctricas a la lluvia ni a condiciones húmedas.** La entrada de agua en una herramienta eléctrica aumentará el riesgo de que se produzca una descarga eléctrica.
4. **No maltrate el cable. Nunca utilice el cable para transportar, jalar o desconectar la herramienta eléctrica. Mantenga el cable alejado del calor, aceite, objetos cortantes o piezas móviles.** Los cables dañados o enredados aumentan el riesgo de sufrir una descarga eléctrica.
5. **Cuando utilice una herramienta eléctrica en exteriores, utilice un cable de extensión apropiado para uso en exteriores.** La utilización de un cable apropiado para uso en exteriores reducirá el riesgo de que se produzca una descarga eléctrica.

6. **Si no es posible evitar usar una herramienta eléctrica en condiciones húmedas, utilice un alimentador protegido con interruptor de circuito de falla a tierra (ICFT).** El uso de un ICFT reduce el riesgo de descarga eléctrica.

Seguridad personal

1. **Manténgase alerta, preste atención a lo que está haciendo y utilice su sentido común cuando opere una herramienta eléctrica. No utilice una herramienta eléctrica cuando esté cansado o bajo la influencia de drogas, alcohol o medicamentos.** Un momento de distracción mientras opera las herramientas eléctricas puede terminar en una lesión grave.
2. **Use equipo de protección personal. Póngase siempre protección para los ojos.** El equipo protector tal como máscara contra el polvo, zapatos de seguridad antiderrapantes, casco rígido y protección para oídos utilizado en las condiciones apropiadas reducirá el riesgo de lesiones.
3. **Impida el encendido accidental. Asegúrese de que el interruptor esté en la posición de apagado antes de conectar a la alimentación eléctrica y/o de colocar el cartucho de batería, así como al levantar o cargar la herramienta.** Cargar las herramientas eléctricas con su dedo en el interruptor o enchufarlas con el interruptor encendido hace que los accidentes sean comunes.
4. **Retire cualquier llave de ajuste o llave de apriete antes de encender la herramienta.** Una llave de ajuste o llave de apriete que haya sido dejada puesta en una parte giratoria de la herramienta eléctrica puede ocasionar alguna lesión.
5. **No utilice la herramienta donde no alcance. Mantenga los pies sobre suelo firme y el equilibrio en todo momento.** Esto permite un mejor control de la herramienta eléctrica en situaciones inesperadas.
6. **Use vestimenta apropiada. No use ropas sueltas ni joyas. Mantenga el cabello, la ropa y los guantes alejados de las piezas móviles.** Las prendas de vestir holgadas, las joyas y el cabello suelto podrían engancharse en las piezas móviles.
7. **Si dispone de dispositivos para la conexión de equipos de extracción y recolección de polvo, asegúrese de conectarlos y utilizarlos debidamente.** Hacer uso de la recolección de polvo puede reducir los riesgos relacionados con el polvo.

Mantenimiento y uso de la herramienta eléctrica

1. **No fuerce la herramienta eléctrica. Utilice la herramienta eléctrica correcta para su aplicación.** La herramienta eléctrica adecuada hará un mejor trabajo y de forma más segura a la velocidad para la que ha sido fabricada.
2. **No utilice la herramienta eléctrica si el interruptor no la enciende y apaga.** Cualquier herramienta eléctrica que no pueda ser controlada con el interruptor es peligrosa y debe ser reemplazada.
3. **Desconecte la clavija de la fuente de energía y/o la batería de la herramienta eléctrica antes de realizar ajustes, cambiar accesorios o guardar las herramientas eléctricas.** Dichas medidas de seguridad preventivas reducen el riesgo de que la herramienta se inicie accidentalmente.

4. **Guarde la herramienta eléctrica que no use fuera del alcance de los niños y no permita que las personas que no están familiarizadas con ella o con las instrucciones la operen.** Las herramientas eléctricas son peligrosas en manos de personas que no saben operarlas.
5. **Realice el mantenimiento a las herramientas eléctricas. Compruebe que no haya partes móviles desalineadas o estancadas, piezas rotas y cualquier otra condición que pueda afectar al funcionamiento de la herramienta eléctrica. Si la herramienta eléctrica está dañada, haga que se la reparen antes de utilizarla.** Muchos accidentes son ocasionados por herramientas eléctricas con mantenimiento inadecuado.
6. **Mantenga las herramientas de corte limpias y filosas.** Si recibe un mantenimiento adecuado y tiene los bordes afilados, es probable que la herramienta se atasque menos y sea más fácil controlarla.
7. **Utilice la herramienta eléctrica, los accesorios y las brocas de acuerdo con estas instrucciones, considerando las condiciones laborales y el trabajo a realizar.** Si utiliza la herramienta eléctrica para realizar operaciones distintas de las indicadas, podrá presentarse una situación peligrosa.

Uso y cuidado de la herramienta a batería

1. **Recargue sólo con el cargador especificado por el fabricante.** Un cargador que es adecuado para un solo tipo de batería puede generar riesgo de incendio al ser utilizado con otra batería.
2. **Utilice las herramientas eléctricas solamente con las baterías designadas específicamente para ellas.** La utilización de cualquier otra batería puede crear un riesgo de lesiones o incendio.
3. **Cuando no se esté usando la batería, manténgala alejada de otros objetos metálicos, como sujetapapeles (clips), monedas, llaves, clavos, tornillos u otros objetos pequeños de metal los cuales pueden actuar creando una conexión entre las terminales de la batería.** Originar un cortocircuito en las terminales puede causar quemaduras o incendios.
4. **En condiciones abusivas, podrá escapar líquido de la batería; evite tocarlo. Si lo toca accidentalmente, enjuague con agua. Si hay contacto del líquido con los ojos, busque asistencia médica.** Puede que el líquido expulsado de la batería cause irritación o quemaduras.
5. **No utilice una herramienta ni una batería que estén dañadas o hayan sido modificadas.** Las baterías dañadas o modificadas podrían ocasionar una situación inesperada provocando un incendio, explosión o riesgo de lesiones.
6. **No exponga la herramienta ni la batería al fuego ni a una temperatura excesiva.** La exposición al fuego o a una temperatura superior a los 130 °C podría causar una explosión.
7. **Siga todas las instrucciones para la carga y evite cargar la herramienta o la batería fuera del rango de temperatura especificado en las instrucciones.** Una carga inadecuada o a una temperatura fuera del rango especificado podría dañar la batería e incrementar el riesgo de incendio.

Servicio

1. Haga que una persona calificada repare la herramienta eléctrica utilizando sólo piezas de repuesto idénticas. Esto asegura que se mantenga la seguridad de la herramienta eléctrica.
2. Siga las instrucciones para la lubricación y cambio de accesorios.
3. Mantenga las agarraderas secas, limpias y sin aceite o grasa.
4. No modifique ni intente reparar el aparato ni el paquete de baterías salvo como se indique en las instrucciones para el uso y cuidado.

Advertencias de seguridad para el taladro atornillador inalámbrico


1. Utilice los mango(s) auxiliare(s) que se suministren con la herramienta. La pérdida de control puede ocasionar lesiones.
2. Sujete la herramienta eléctrica por las superficies de agarre aisladas al realizar una operación en la que el accesorio de corte pueda estar en contacto con cables ocultos. Si el accesorio de corte entra en contacto con un cable con corriente, las piezas metálicas expuestas de la herramienta eléctrica se cargarán también de corriente y el operario podrá recibir una descarga eléctrica.
3. Sujete la herramienta eléctrica por las superficies de agarre aisladas al realizar una operación en la que el sujetador pueda entrar en contacto con cables ocultos. Si el sujetador entra en contacto con un cable con corriente, las piezas metálicas expuestas de la herramienta eléctrica se cargarán también de corriente y el operario puede recibir una descarga.
4. Asegúrese siempre de que pisa sobre suelo firme. Asegúrese de que no haya nadie debajo cuando utilice la herramienta en lugares altos.
5. Sujete la herramienta con firmeza.
6. Mantenga las manos alejadas de las piezas giratorias.
7. No deje la herramienta funcionando. Ponga la herramienta en marcha únicamente cuando la tenga con usted.
8. No toque la broca de taladro o la pieza de trabajo inmediatamente después de la operación, ya que podría estar extremadamente caliente y ocasionar quemaduras en la piel.
9. Algunos materiales contienen sustancias químicas que pueden ser tóxicas. Evite inhalar polvo y que éste entre en contacto con la piel. Consulte la hoja de seguridad de materiales del proveedor.
10. Si la broca no puede ser aflojada aun abriendo las mordazas, utilice tenazas para sacarla. En este caso, sacar la broca con la mano podría ocasionar una lesión a causa de su borde filoso.

GUARDE ESTAS INSTRUCCIONES.

ADVERTENCIA: NO DEJE que la comodidad o familiaridad con el producto (a base de utilizarlo repetidamente) evite que siga estrictamente las normas de seguridad para dicho producto. El USO INCORRECTO o el no seguir las normas de seguridad indicadas en este manual de instrucciones puede ocasionar lesiones graves.

Símbolos

A continuación se muestran los símbolos utilizados para la herramienta.

V	volts o voltios
	corriente directa o continua
n ₀	velocidad sin carga
... /min r /min	revoluciones o alternaciones por minuto, frecuencia de rotación

Instrucciones importantes de seguridad para el cartucho de batería

1. Antes de utilizar el cartucho de batería, lea todas las instrucciones e indicaciones de precaución en el (1) el cargador de batería, (2) la batería, y (3) el producto con el que se utiliza la batería.
2. No desarme el cartucho de batería.
3. Si el tiempo de operación se ha acortado en exceso, deje de operar de inmediato. Podría correrse el riesgo de sobrecalentamiento, posibles quemaduras e incluso explosión.
4. En caso de que ingresen electrolitos en sus ojos, enjuáguelos bien con agua limpia y consulte de inmediato a un médico. Esto podría ocasionar pérdida de visión.
5. Evite cortocircuitar el cartucho de batería:
 - (1) No toque las terminales con ningún material conductor.
 - (2) Evite guardar el cartucho de batería en un cajón junto con otros objetos metálicos, tales como clavos, monedas, etc.
 - (3) No exponga el cartucho de batería al agua o la lluvia.Un cortocircuito en la batería puede causar un flujo grande de corriente, sobrecalentamiento, posibles quemaduras e incluso una descompostura.
6. No guarde la herramienta ni el cartucho de batería en lugares donde la temperatura pueda alcanzar o exceder los 50°C (122°F).
7. Nunca incinere el cartucho de batería incluso en el caso de que esté dañado seriamente o ya no sirva en absoluto. El cartucho de batería puede explotar si se tira al fuego.
8. Tenga cuidado de no dejar caer ni golpear la batería.

9. **No use una batería dañada.**
10. **Las baterías de ión de litio están sujetas a los requisitos reglamentarios en materia de bienes peligrosos.**

Para el transporte comercial, por ej., mediante terceros o agentes de transporte, se deben tomar en cuenta los requisitos especiales relativos al empaque y el etiquetado.

Para efectuar los preparativos del artículo que se va a enviar, se requiere consultar a un experto en materiales peligrosos. Si es posible, consulte además otras regulaciones nacionales más detalladas.

Pegue o cubra con cinta adhesiva los contactos abiertos y empaque la batería de manera que ésta no pueda moverse dentro del paquete.

11. **Siga las regulaciones locales relacionadas al desecho de las baterías.**
12. **Utilice las baterías únicamente con los productos especificados por Makita.** Instalar las baterías en productos que no cumplan con los requisitos podría ocasionar un incendio, un calentamiento excesivo, una explosión o una fuga de electrolito.

GUARDE ESTAS INSTRUCCIONES.

⚠PRECAUCIÓN: Utilice únicamente baterías originales de Makita. El uso de baterías no originales de Makita, o de baterías alteradas, puede ocasionar que las baterías exploten causando un incendio, lesiones personales y daños. Asimismo, esto invalidará la garantía de Makita para la herramienta y el cargador Makita.

Consejos para alargar al máximo la vida útil de la batería

1. **Cargue el cartucho de batería antes de que se descargue completamente. Pare siempre la operación y cargue el cartucho de batería cuando note menos potencia en la herramienta.**
2. **No cargue nunca un cartucho de batería que esté completamente cargado. La sobrecarga acortará la vida de servicio de la batería.**
3. **Cargue el cartucho de batería a una temperatura ambiente de 10 °C - 40 °C (50 °F - 104 °F). Si un cartucho de batería está caliente, déjelo enfriar antes de cargarlo.**

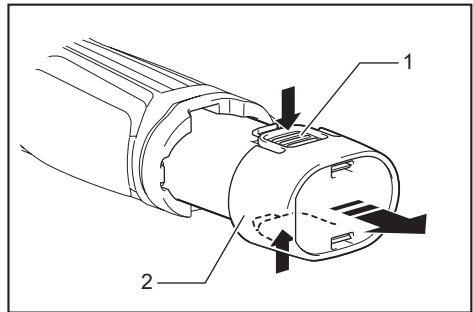
DESCRIPCIÓN DEL FUNCIONAMIENTO

⚠PRECAUCIÓN: Asegúrese siempre de que la herramienta esté apagada y el cartucho de batería haya sido extraído antes de realizar cualquier ajuste o comprobación en la herramienta.

Instalación o extracción del cartucho de batería

⚠PRECAUCIÓN: Apague siempre la herramienta antes de colocar o quitar el cartucho de batería.

⚠PRECAUCIÓN: Sujete la herramienta y el cartucho de la batería con firmeza al colocar o quitar el cartucho de batería. Si no se sujeta con firmeza la herramienta y el cartucho de batería, puede ocasionar que se resbalen de sus manos causando daños a la herramienta y al cartucho de batería, así como lesiones a la persona.



► 1. Botón 2. Cartucho de batería

Para extraer el cartucho de batería, retírelo de la herramienta mientras oprime los botones a ambos lados del cartucho.

Para instalar el cartucho de batería, alinee la lengüeta sobre el cartucho de batería con la ranura en la carcasa y deslícelo hasta su lugar.

⚠PRECAUCIÓN: Insértelo siempre hasta que quede asegurado en su lugar haciendo un pequeño clic. De lo contrario, éste podría caerse accidentalmente de la herramienta, causándole una lesión a usted o a alguien a su alrededor.

⚠PRECAUCIÓN: No instale el cartucho de batería a la fuerza. Si el cartucho no se desliza al interior fácilmente, se debe a que no está siendo insertado correctamente.

Sistema de protección de batería

La herramienta está equipada con un sistema de protección de batería. Este sistema corta en forma automática el suministro de energía al motor para prolongar la vida útil de la batería.

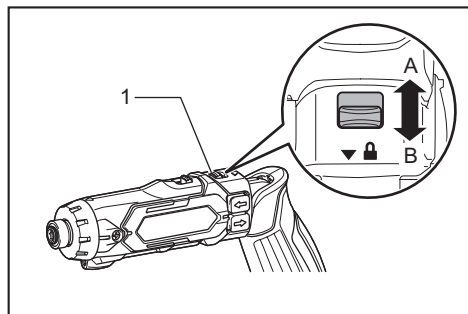
La herramienta se detendrá automáticamente durante la operación si la herramienta y/o la batería se someten a la siguiente condición:

Bajo voltaje de la batería:

La capacidad restante de la batería es demasiado baja y la herramienta no funcionará. Si enciende la herramienta, el motor vuelve a funcionar pero se detiene al poco tiempo. En este caso, extraiga la batería y vuelva a cargarla.

Palanca de bloqueo

PRECAUCIÓN: Cuando no esté utilizando la herramienta, coloque siempre la palanca de bloqueo en la posición bloqueada B.



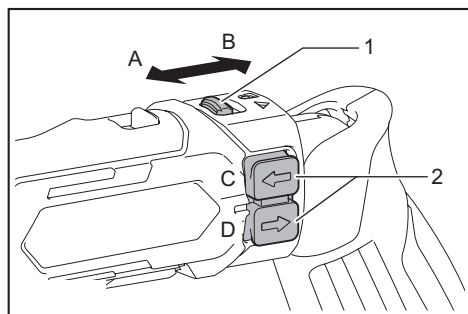
► 1. Palanca de bloqueo

Cuando la palanca de bloqueo esté en la posición bloqueada B, el interruptor no podrá ser activado. Cuando la palanca de bloqueo esté en la posición desbloqueada A, el interruptor podrá ser activado.

Accionamiento del interruptor

PRECAUCIÓN: Antes de instalar el cartucho de batería en la herramienta, revise siempre para comprobar que el interruptor se active debidamente y que regrese a la posición apagada al soltarlo.

PRECAUCIÓN: Confirme siempre la dirección de rotación antes de la operación.

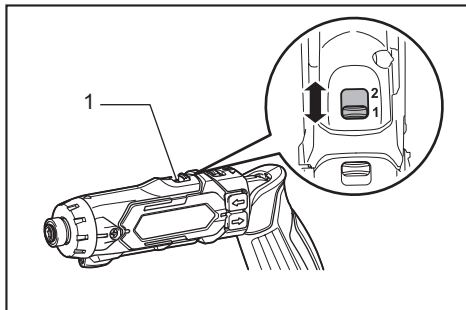


► 1. Palanca de bloqueo 2. Interruptor

Para arrancar la herramienta, primero mueva la palanca de bloqueo a la posición desbloqueada A para liberar el interruptor. Y luego simplemente oprima el interruptor en ⇐ en el lado C para una rotación en el sentido de las manecillas del reloj, y en ⇒ en el lado D para una rotación en sentido inverso al de las manecillas del reloj. Para detenerla, suelte el interruptor.

AVISO: Cambie la dirección solamente después de que la herramienta se haya detenido por completo. Si cambia la dirección de rotación antes de que la herramienta se haya detenido, esto podría dañar la herramienta.

Cambio de velocidad



► 1. Palanca de cambio de velocidad

PRECAUCIÓN: Coloque siempre la palanca de cambio de velocidad exactamente en la posición correcta. Si usted utiliza la herramienta con la palanca de cambio de velocidad puesta a medias entre la posición "1" y "2", la herramienta puede dañarse.

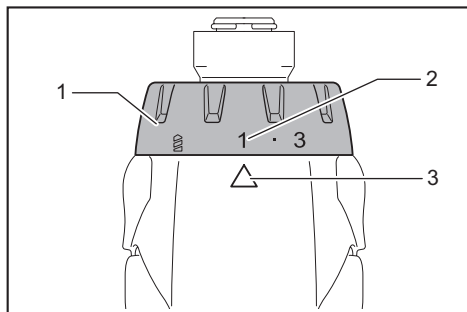
PRECAUCIÓN: No utilice la palanca de cambio de velocidad mientras la herramienta está en marcha. La herramienta puede dañarse.

Posición de la palanca de cambio de velocidad	Velocidad	Torsión	Operación aplicable
1	Baja	Alta	Operación de carga pesada
2	Alta	Baja	Operación de carga ligera

Para cambiar la velocidad, primero apague la herramienta. Luego, seleccione la posición "2" para alta velocidad y la "1" para baja velocidad pero con torsión alta. Asegúrese de que la palanca de cambio de velocidad esté ajustada a la posición correcta antes de iniciar la operación.

Si la velocidad de la herramienta se reduce extremadamente durante la operación en la posición "2", deslice la palanca a la posición "1" y reinicie la operación.

Ajuste de la torsión de apriete



► 1. Anillo de ajuste 2. Graduación 3. Flecha

La torsión de apriete puede ajustarse en 22 niveles girando el anillo de ajuste. Alinee las graduaciones con la flecha en el cuerpo de la herramienta. Puede conseguir una fijación de torsión mínima en 1 y una torsión máxima en la marca

El embrague se deslizará entre los diferentes niveles de torsión cuando esté ajustado en los números 1 a 21. El embrague no funciona en la marca

Antes de iniciar la operación, coloque un tornillo de prueba en su material o en un pedazo del mismo material para determinar qué nivel de torsión se requiere para una aplicación en particular.

NOTA: Consulte la tabla a continuación para ver la relación entre el número de ajuste de la torsión y la tasa de torsión de apriete.

La tasa de torsión de apriete será diferente en función de los materiales. Haga un apriete de prueba para obtener la torsión deseada antes de la operación.

Guía para la detención automática del embrague

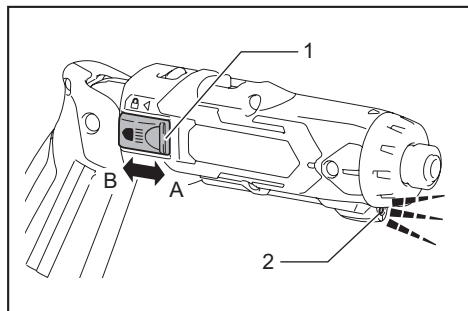
Rango de operación de la detención automática del embrague		Incrementos en el anillo de ajuste para la torsión de apriete	Torsión de apriete
Alta	Baja		
✓	✓	1	Aprox. 0,3 N•m (Aprox. 0,2 ft•lbs)
✓	✓	5	Aprox. 0,82 N•m (Aprox. 0,6 ft•lbs)
✓	✓	9	Aprox. 1,35 N•m (Aprox. 1,0 ft•lbs)
-	✓	13	Aprox. 1,88 N•m (Aprox. 1,4 ft•lbs)
-	✓	17	Aprox. 2,41 N•m (Aprox. 1,8 ft•lbs)
-	✓	21	Aprox. 2,9 N•m (Aprox. 2,1 ft•lbs)
-	-		A velocidad baja, aprox. 8 N•m (Aprox. 5,9 ft•lbs)
-	-		A velocidad alta, aprox. 1,5 N•m (Aprox. 1,1 ft•lbs)

Al colocar tornillos de máquina	Incrementos	Guía para el diámetro de los tornillos de máquina
	1 - 3	2,5 mm (3/32")
	4 - 8	3 mm (1/8")
	9 - 18	4 mm (5/32")
	19 - 21	5 mm (3/16")

Iluminación de la luz delantera

PRECAUCIÓN: No mire a la luz ni vea a la fuente de luz directamente.

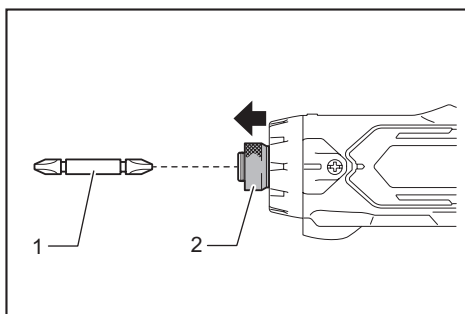
Para encender la lámpara, deslice el interruptor de la lámpara a la posición A. Para apagar la lámpara, deslice el interruptor de la lámpara a la posición B. Aun cuando deje la lámpara encendida, la luz se apagará automáticamente después de 5 minutos.



► 1. Interruptor de la lámpara 2. Lámpara

NOTA: La lámpara emite señales parpadeando durante el uso cuando la potencia de la batería casi se ha agotado.

En este momento, recargue la batería o reemplácela con una completamente cargada.



► 1. Punta para atornillar 2. Mandril

Para instalar la punta para atornillar, jale el mandril en dirección de la flecha e inserte la punta para atornillar en el mandril hasta donde sea posible. Luego suelte el mandril para asegurar la punta para atornillar.

Para quitar la punta para atornillar, jale el mandril en dirección de la flecha y jale la punta para atornillar hacia afuera.

NOTA: Si la punta de destornillador no se encuentra insertada hasta el fondo en el mandril, éste no regresará a su posición original y la punta de destornillador no quedará asegurada. En este caso, procure insertar la broca de nuevo siguiendo las instrucciones de arriba.

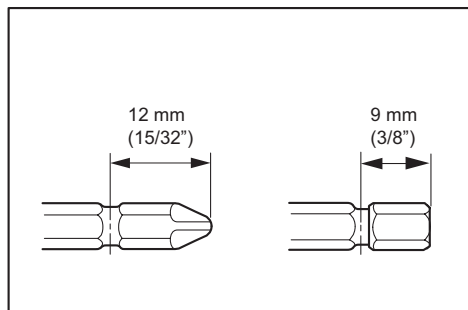
NOTA: Tras insertar la punta de destornillador, asegúrese de que quede firmemente ajustada. Si se sale, no la utilice.

MONTAJE

PRECAUCIÓN: Asegúrese siempre de que la herramienta esté apagada y el cartucho de batería haya sido extraído antes de realizar cualquier trabajo en la misma.

Instalación o extracción de la punta de destornillador/punta de atornillar

Accesorio opcional




Utilice únicamente la punta de destornillador/punta de atornillar que se muestra en la figura. No utilice ninguna otra punta de destornillador/punta de atornillar.

OPERACIÓN

PRECAUCIÓN: Cuando doble la herramienta para utilizarla en forma de pistola o la enderece para utilizarla en forma recta, no sostenga la parte plegable de la herramienta. El hacerlo podría causar que esta parte le pellizcara y lesionara la mano o los dedos.

La herramienta puede utilizarse de dos maneras; en forma recta y en forma de pistola, las cuales puede seleccionar dependiendo de las condiciones del lugar de trabajo y el atornillado.

Operación de taladrado

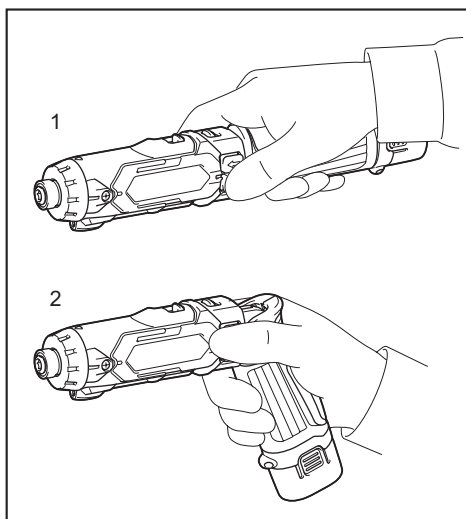
Primero, gire el anillo de ajuste de tal forma que la flecha apunte hacia la marca . Después proceda como sigue.

Taladrado en madera

Cuando taladre en madera, podrá obtener mejores resultados si utiliza brocas para madera equipadas con un tornillo guía. El tornillo guía facilita el taladrado jalando la broca de taladro hacia el interior de la pieza de trabajo.

Taladrado en metal

Para evitar que la broca de taladro resbale una vez que comience a hacer el orificio, haga un surco con punzón y un martillo en el punto a taladrar. Coloque la punta de la broca de taladro en el surco y comience a taladrar. Utilice un lubricante para corte cuando taladre metales. Salvo en el caso de hierro y bronce, los cuales deberán ser taladrados en seco.



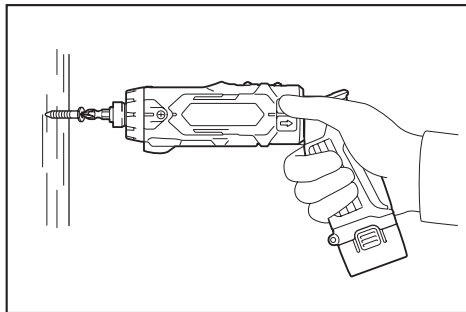
▶ 1. Forma recta 2. Forma de pistola

Operación de atornillado

PRECAUCIÓN: Coloque el anillo de ajuste en el nivel de torsión apropiado para su trabajo.

PRECAUCIÓN: Asegúrese de que la punta de destornillador se inserte exactamente en la cabeza del tornillo, de lo contrario el tornillo y/o la punta de destornillador pueden dañarse.

Coloque la punta de la punta de destornillador sobre la cabeza del tornillo y aplique presión en la herramienta. Luego encienda la herramienta. Cuando el embrague sea interrumpido, el motor se detendrá automáticamente. Luego suelte el interruptor.



NOTA: Cuando atornille en madera, taladre primero un orificio de 2/3 del diámetro del tornillo. Esto facilita la operación y evita que la pieza de trabajo se rompa en dos.

PRECAUCIÓN: Ejercer una presión excesiva sobre la herramienta no hará que consiga taladrar más rápido. De hecho, una presión excesiva sólo logrará dañar la punta de la broca de taladro, reducir el desempeño y acortar la vida útil de la herramienta.

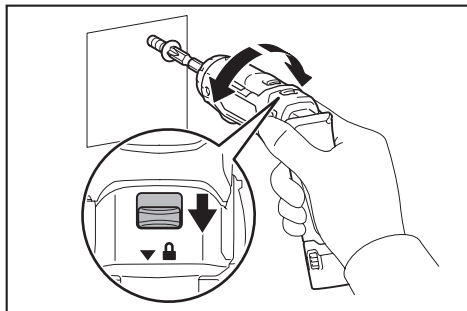
PRECAUCIÓN: Sujete firmemente la herramienta y tenga cuidado cuando la broca de taladro comience a penetrar en la pieza de trabajo. La fuerza ejercida en la herramienta/broca de taladro al momento de la penetración es enorme.


PRECAUCIÓN: Para extraer una broca de taladro atorada, basta simplemente con ajustar el interruptor de inversión en rotación inversa para hacerla retroceder. Sin embargo, la herramienta puede retroceder bruscamente si no la sujeta con firmeza.

PRECAUCIÓN: Asegure siempre las piezas de trabajo con un tornillo de banco o dispositivo de sujeción similar.

PRECAUCIÓN: Si utiliza la herramienta de forma continua hasta que el cartucho de batería se descargue, deje descansar la herramienta durante 15 minutos antes de proceder con una batería llena.

Uso de la herramienta como atornillador manual



Apague la herramienta.
Mueva la palanca de bloqueo a la posición bloqueada 
Dé la vuelta a la herramienta.

AVISO: Utilice la herramienta con una torsión de apriete de menos de 5 N•m (3,7 ft•lbs).

AVISO: No utilice la herramienta para trabajo que requiera una fuerza excesiva, como por ejemplo apretar un perno 6 mm o pernos más grandes que los 6 mm o retirar tornillos oxidados.

NOTA: Este uso es conveniente para revisar el atornillado.

MANTENIMIENTO

PRECAUCIÓN: Asegúrese siempre de que la herramienta esté apagada y el cartucho de batería extraído antes de intentar realizar una inspección o mantenimiento.

AVISO: Nunca use gasolina, bencina, diluyente (tíner), alcohol o sustancias similares. Puede que esto ocasione grietas o descoloramiento.

Para mantener la SEGURIDAD y FIABILIDAD del producto, las reparaciones, y cualquier otra tarea de mantenimiento o ajuste deberán ser realizadas en centros de servicio autorizados o de fábrica Makita, empleando siempre repuestos Makita.

ACCESORIOS OPCIONALES

PRECAUCIÓN: Estos accesorios o aditamentos están recomendados para utilizarse con su herramienta Makita especificada en este manual. El empleo de cualquier otro accesorio o aditamento puede conllevar el riesgo de lesiones personales. Utilice los accesorios o aditamentos solamente para su fin establecido.

Si necesita cualquier ayuda para más detalles en relación con estos accesorios, pregunte a su centro de servicio local Makita.

- Brocas de taladro
- Puntas de destornillador
- Puntas de dados
- Estuche de transporte de plástico
- Batería y cargador originales de Makita

NOTA: Algunos de los artículos en la lista pueden incluirse en el paquete de la herramienta como accesorios estándar. Éstos pueden variar de país a país.

GARANTÍA LIMITADA DE MAKITA

Ésta Garantía no aplica para México

Consulte la hoja de la garantía anexa para ver los términos más vigentes de la garantía aplicable a este producto. En caso de no disponer de esta hoja de garantía anexa, consulte los detalles sobre la garantía descritos en el sitio web de su país respectivo indicado a continuación.

Estados Unidos de América: www.makitatools.com

Canadá: www.makita.ca

Otros países: www.makita.com

< USA only >

WARNING

Some dust created by power sanding, sawing, grinding, drilling, and other construction activities contains chemicals known to the State of California to cause cancer, birth defects or other reproductive harm. Some examples of these chemicals are:

- lead from lead-based paints,
- crystalline silica from bricks and cement and other masonry products, and
- arsenic and chromium from chemically-treated lumber.

Your risk from these exposures varies, depending on how often you do this type of work. To reduce your exposure to these chemicals: work in a well ventilated area, and work with approved safety equipment, such as those dust masks that are specially designed to filter out microscopic particles.

< Sólo en los Estados Unidos >

ADVERTENCIA

Algunos polvos creados por el lijado, aserrado, esmerilado, taladrado y otras actividades de la construcción contienen sustancias químicas reconocidas por el Estado de California como causantes de cáncer, defectos de nacimiento y otros peligros de reproducción. Algunos ejemplos de estos productos químicos son:

- plomo de pinturas a base de plomo,
- sílice cristalino de ladrillos y cemento y otros productos de albañilería, y
- arsénico y cromo de maderas tratadas químicamente.

El riesgo al que se expone varía, dependiendo de la frecuencia con la que realice este tipo de trabajo. Para reducir la exposición a estos productos químicos: trabaje en un área bien ventilada y póngase el equipo de seguridad indicado, tal como las máscaras contra polvo que están especialmente diseñadas para filtrar partículas microscópicas.

Makita Corporation

3-11-8, Sumiyoshi-cho,
Anjo, Aichi 446-8502 Japan

www.makita.com

885561A946
DF012D-1
EN, FRCA, ESMX
20180626